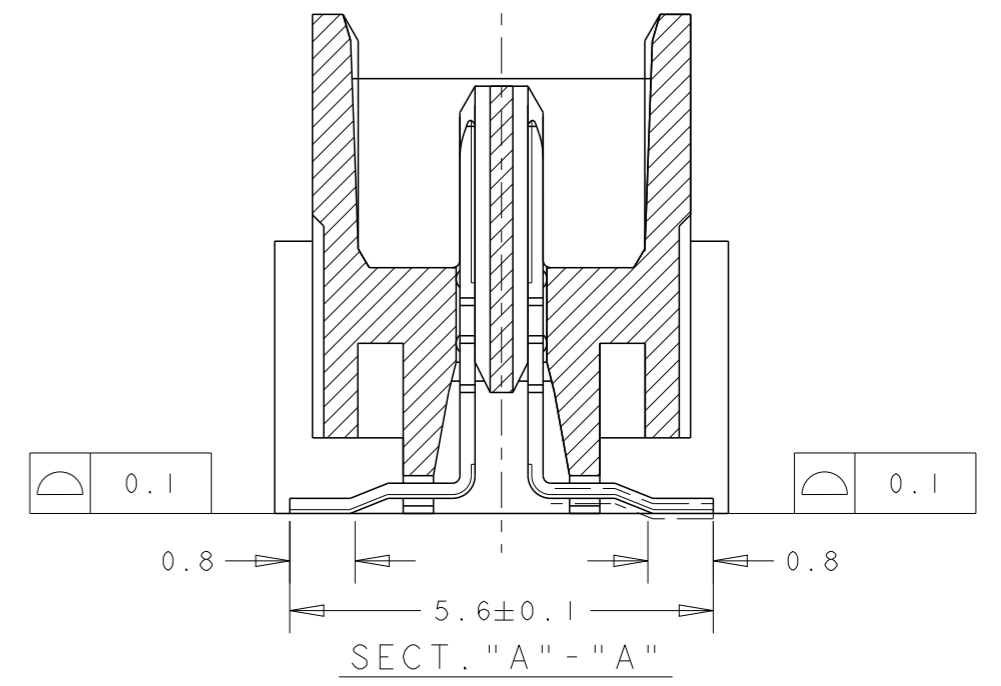
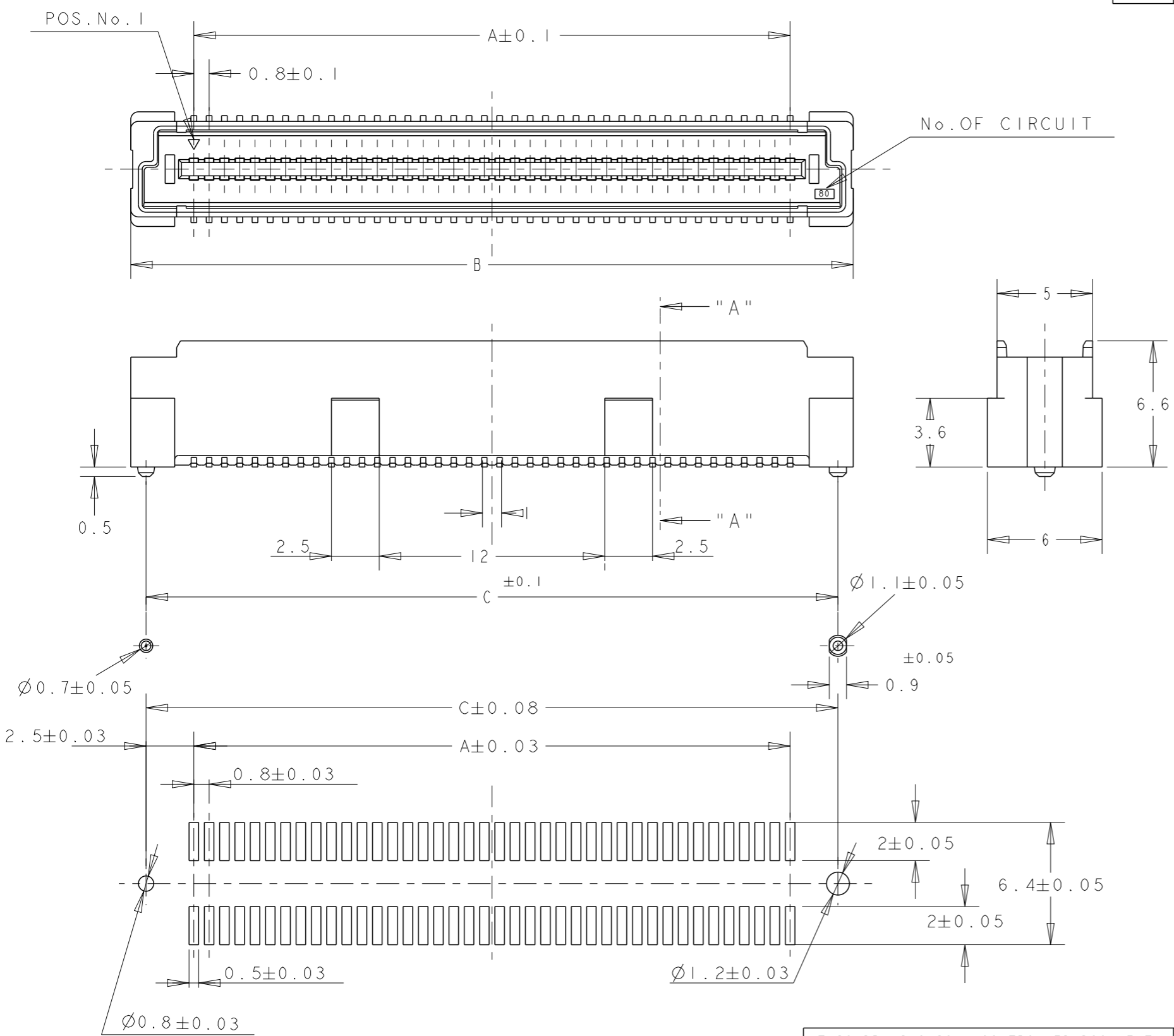


THIS DRAWING IS UNPUBLISHED. RELEASED FOR PUBLICATION 20
 © COPYRIGHT 20 BY - ALL RIGHTS RESERVED.


LOC	DIST	REVISIONS			
P	LTR	DESCRIPTION	DATE	DWN	APVD
DY	-	B2 REVISED PER ECR-12-021394	12DEC12	IT	SY



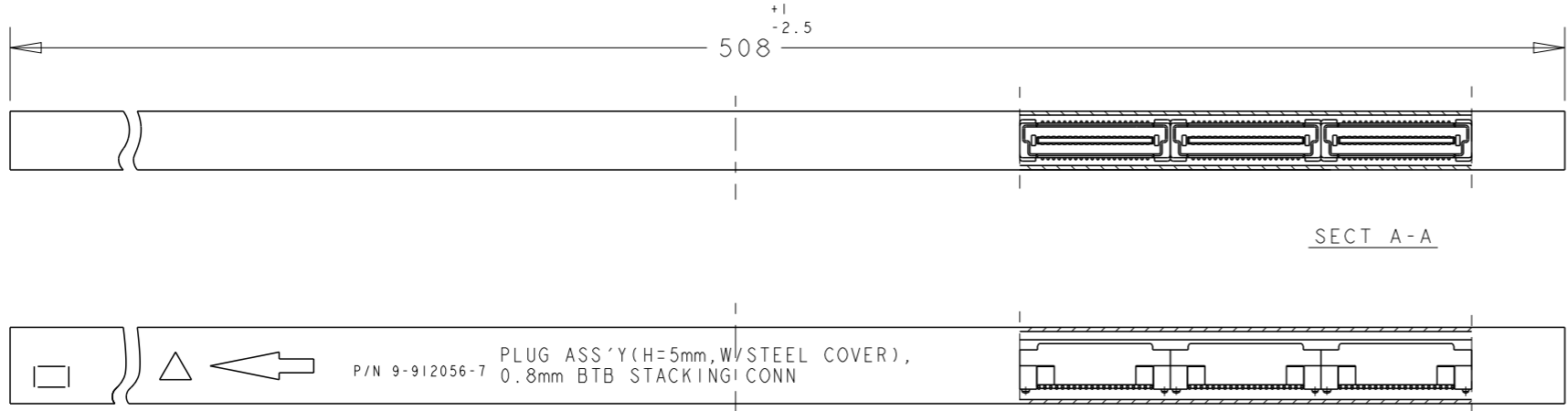
- NOTES:
- 1 MATERIAL:
HOUSING: L.C.P. (HIGH TEMP THERMO PLASTIC)
UL 94V-0, NATURAL.
CONTACT: BRASS.
 - 2 FINISH:
CONTACT AREA: 0.0002 MIN GOLD ON
0.0013 MIN ALL OVER NICKEL.
 - 3 SOLDERING AREA: 0.002 MIN MATTE-TIN.
 - 4 POSITION SERIES: SEE TABLE.
CONN STACK HEIGHT COMBINE OF PLUG "Y" H VS REC "X" H.
STACK HEIGHT = Y + X - 5
 - 5 FINISH:
CONTACT AREA: 0.00076 MIN GOLD ON
0.0013 MIN ALL OVER NICKEL.
SOLDERING AREA: 0.002 MIN MATTE-TIN.
 - 6 OBSOLETE PARTS: OBSOLETE CIS STREAMLINING PER
D.RENAUD/D.SINISI.
 - 7 FINISH:
CONTACT AREA: 0.00038 MIN GOLD ON
0.0013 MIN ALL OVER NICKEL.
SOLDERING AREA: 0.002 MIN MATTE-TIN.

P/N SEE SHEET 2 AND 3 OF 3

RECOMMENDED P.C. BOARD LAYOUT

THIS DRAWING IS A CONTROLLED DOCUMENT.		DWN FLORENCE TAN 30AUG04	 TE Connectivity	
DIMENSIONS: mm		CHK ERIC TNG		
TOLERANCES UNLESS OTHERWISE SPECIFIED:		APVD SE LEONG	NAME PLUG ASSEMBLY 7H TYPE (0.5 BOSS LENGTH) FOR FH 0.8mm PITCH BTB CONNECTOR	
0 PLC ± 1 PLC ±0.30 2 PLC ±0.25 3 PLC ±0.20 4 PLC ± ANGLES ±3°		PRODUCT SPEC 108-5390	SIZE A300779	
MATERIAL		APPLICATION SPEC 114-5254	DRAWING NO C-5179030	
FINISH SEE P/N TABLE		WEIGHT -	RESTRICTED TO -	
		CUSTOMER DRAWING	SCALE 4:1	SHEET 1 OF 3
				REV B2

LOC	DIST	REVISIONS					
DY	-	P	LTR	DESCRIPTION	DATE	DWN	APVD
				SEE HEET 1			



PROJ NO. 593-312

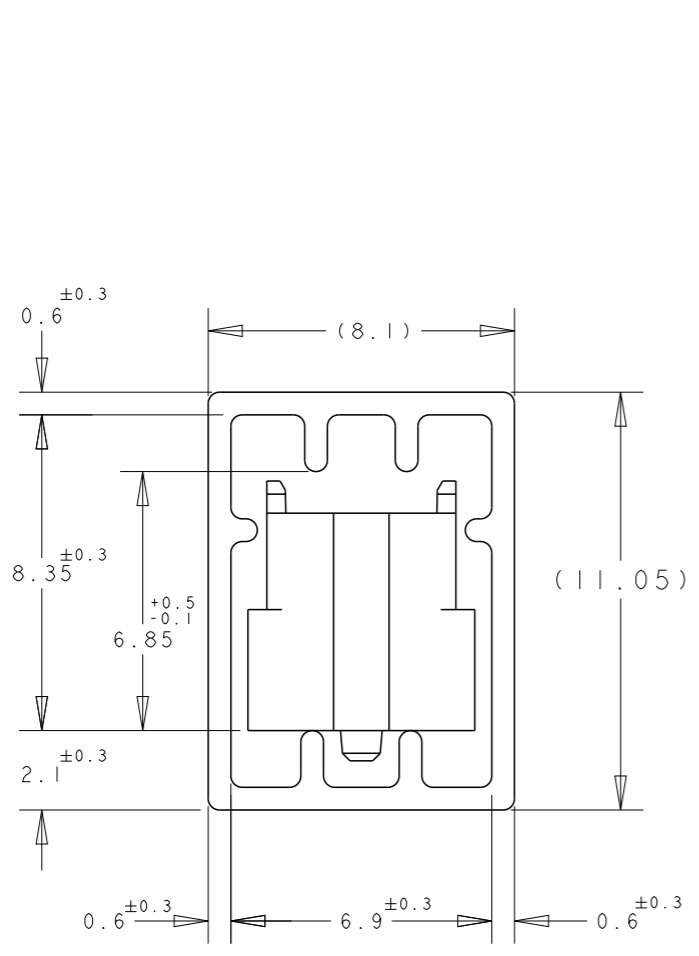
C

B

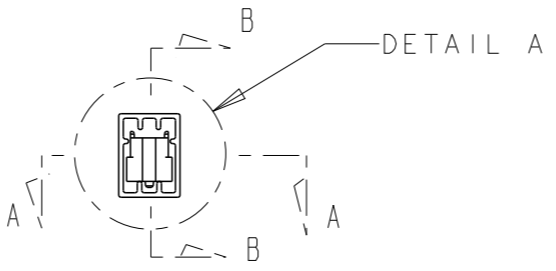
A

CNT	PLT	FINISH	AVAILABILITY	QTY/TUBE	C	B	A	POS.	CONN	P/N	
CNT PLT 15Au/Sn ⚠	NOT AVAILABLE			5	84.2	85.8	79.2	200	4-	-0	
				6	76.2	77.8	71.2	180	3-	-9	
				6	68.2	69.8	63.2	160	3-	-8	
				7	60.2	61.8	55.2	140	3-	-6	
				9	52.2	53.8	47.2	120	3-	-5	
	NOT AVAILABLE				10	44.2	45.8	39.2	100	3-	-4
					12	36.2	37.8	31.2	80	3-	-3
					16	28.2	29.8	23.2	60	3-	-2
					22	20.2	21.8	15.2	40	3-	-1
		CNT PLT 30Au/Sn ⚠	AVAILABLE			5	84.2	85.8	79.2	200	2-
				6	76.2	77.8	71.2	180	1-	-9	
				6	68.2	69.8	63.2	160	1-	-8	
AVAILABLE	⚠				7	64.2	65.8	59.2	150	1-	-7
					7	60.2	61.8	55.2	140	1-	-6
					9	52.2	53.8	47.2	120	1-	-5
					10	44.2	45.8	39.2	100	1-	-4
					12	36.2	37.8	31.2	80	1-	-3
					16	28.2	29.8	23.2	60	1-	-2
					22	20.2	21.8	15.2	40	1-	-1
CNT PLT 08Au/Sn ⚠	AVAILABLE			5	84.2	85.8	79.2	200	1-	-0	
				6	76.2	77.8	71.2	180		-9	
				6	68.2	69.8	63.2	160		-8	
	AVAILABLE	⚠			7	64.2	65.8	59.2	150		-7
					7	60.2	61.8	55.2	140		-6
					9	52.2	53.8	47.2	120		-5
					10	44.2	45.8	39.2	100		-4
					12	36.2	37.8	31.2	80		-3
					16	28.2	29.8	23.2	60		-2
					22	20.2	21.8	15.2	40		-1

REFERENCE PICTURE OF TUBE PACK



DETAIL "B"
(SCALE 5-1)



THIS DRAWING IS A CONTROLLED DOCUMENT.

DWN FLORENCE TAN 30AUG04
 CHK ERIC TNG
 APVD SEIFONG
 PRODUCT SPEC 108-5390
 APPLICATION SPEC 114-5254
 WEIGHT -

STE TE Connectivity

NAME PLUG ASSEMBLY 7H TYPE
 (0.5 BOSS LENGTH)
 FOR FH 0.8mm PITCH BTB CONNECTOR

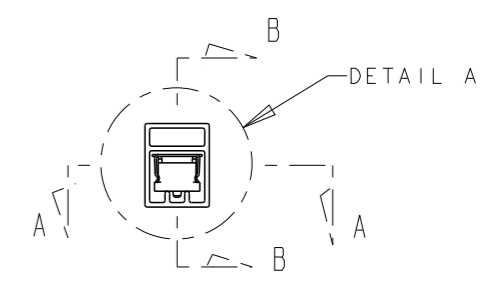
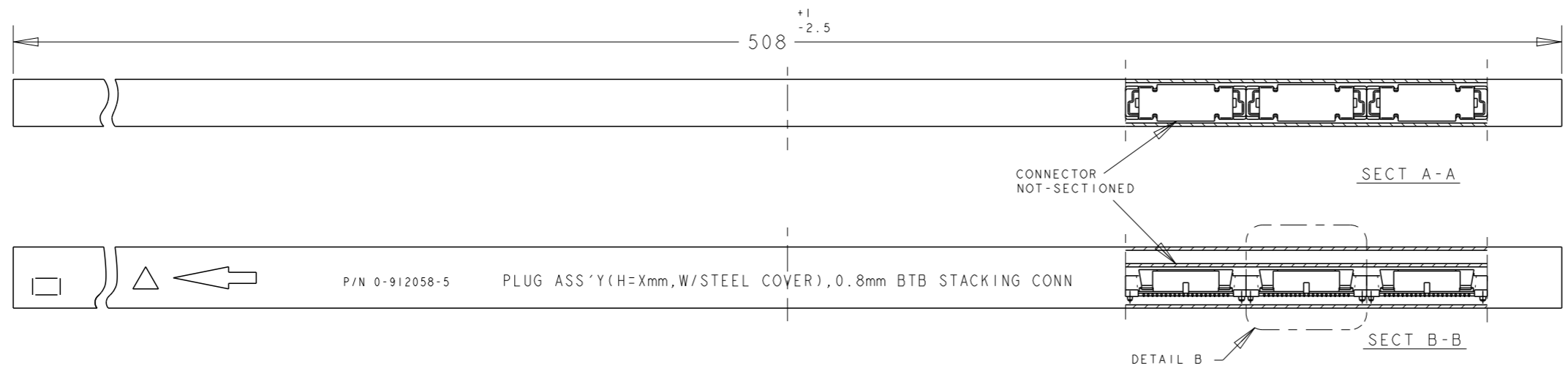
SIZE A300779 CAGE CODE 5179030 DRAWING NO. RESTRICTED TO -

MATERIAL - FINISH SEE P/N TABLE

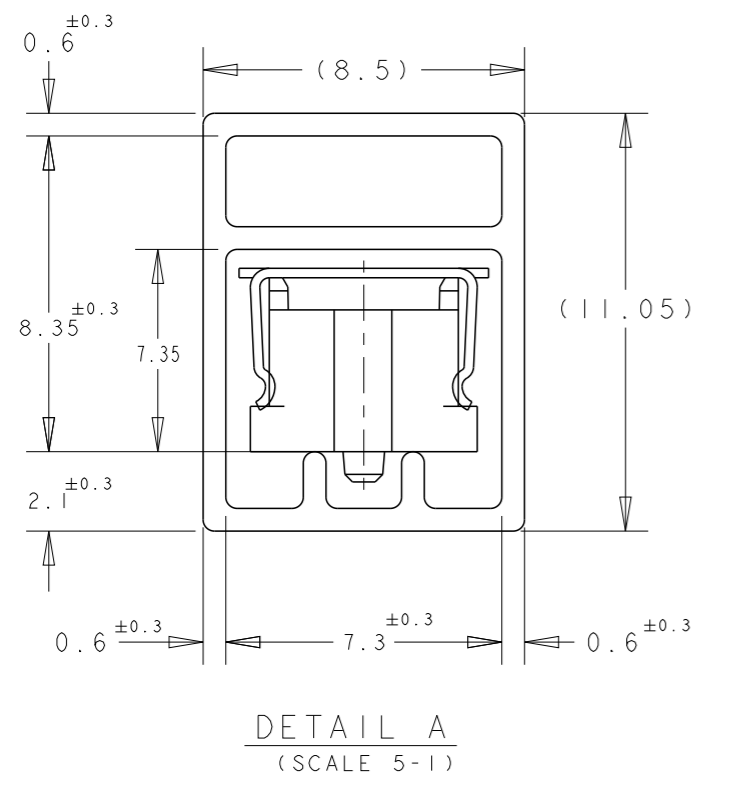
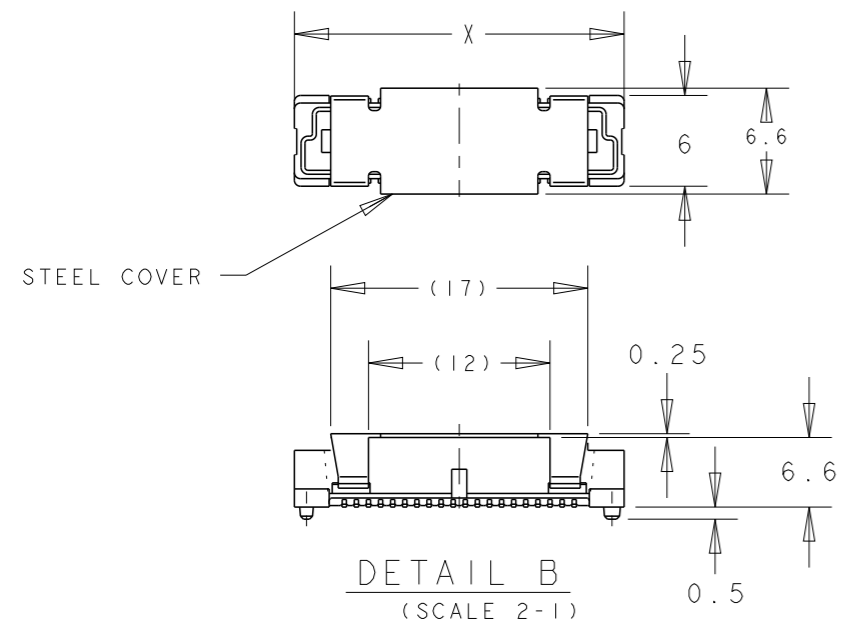
CUSTOMER DRAWING SCALE 4:1 SHEET 2 OF 3 REV B2

THIS DRAWING IS UNPUBLISHED. RELEASED FOR PUBLICATION 20
 © COPYRIGHT 20 BY - ALL RIGHTS RESERVED.

LOC	DIST	REVISIONS					
DY	-	P	LTR	DESCRIPTION	DATE	DWN	APVD
				SEE HEET I			



PLUG TUBE ASSY WITH STEEL COVER FOR FH 0.8 B-T-B CONNECTOR



CNT PLT 30Au/Sn 5	AVAILABLE	5	85.8	200	3-	-0
		6	77.8	180	2-	-9
		6	69.8	160	2-	-8
	WITH STEEL COVER	7	65.8	150	2-	-7
		7	61.8	140	2-	-6
		9	53.8	120	2-	-5
		10	45.8	100	2-	-4
		12	37.8	80	2-	-3
		16	29.8	60	2-	-2
22	21.8	40	2-5179030-1			
FINISH/REMARKS	AVAILABILITY	QTY/TUBE	X	POS.	CONN P/N	

THIS DRAWING IS A CONTROLLED DOCUMENT.		DWN FLORENCE TAN 30AUG04	TE Connectivity	
DIMENSIONS: mm		CHK ERIC TNG		
TOLERANCES UNLESS OTHERWISE SPECIFIED:		APVD SE LEONG	NAME PLUG ASSEMBLY 7H TYPE (0.5 BOSS LENGTH) FOR FH 0.8mm PITCH BTB CONNECTOR	
0 PLC ± 1 PLC ±0.30 2 PLC ±0.25 3 PLC ±0.20 4 PLC ± ANGLES ±3°		PRODUCT SPEC 108-5390	SIZE A300779	
MATERIAL		APPLICATION SPEC 114-5254	DRAWING NO C-5179030	
FINISH SEE P/N TABLE		WEIGHT -	RESTRICTED TO -	
		CUSTOMER DRAWING	SCALE 4:1	SHEET 3 OF 3
			REV B2	